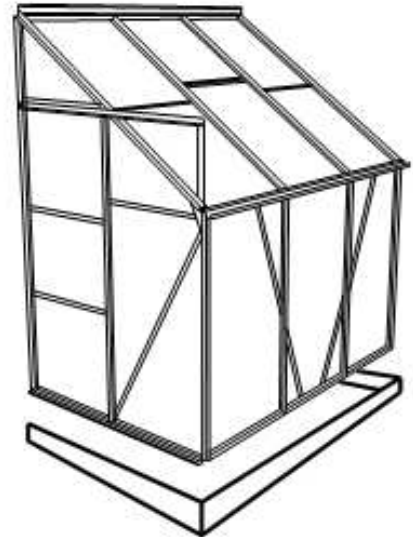


Our Help Line provides support and advice to customers of Summer Garden Buildings after ordering. For advice before you buy you can phone us free 7 days a week on 0800 9777828 or visit www.summergardenbuildings.co.uk

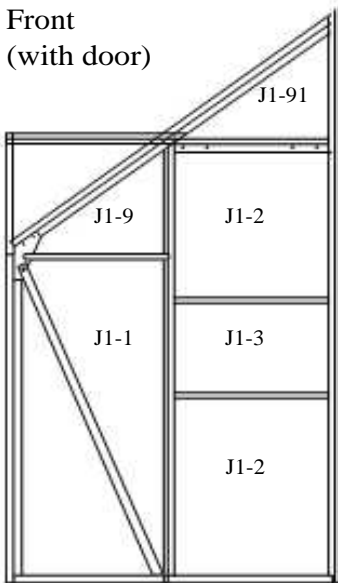
Lean-to Greenhouse Polycarbonate Glazing Instructions

Important.

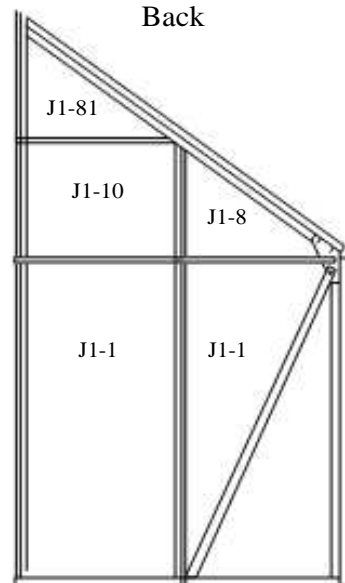
Please read the instructions completely before starting assembly.



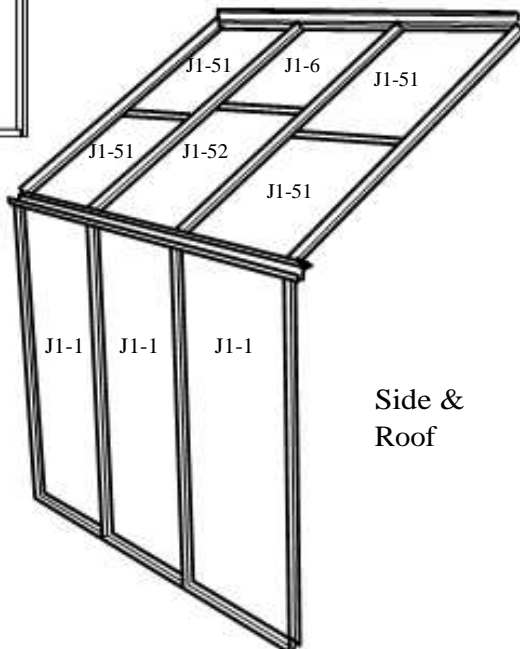
Front
(with door)






Back



Side &
Roof



Parts List

Profile	Qty 6x4 Lean-to	Description	Size (mm)	Code
	6	Side & End Long Sheets	617 x 1215	J1-1
	2	Large Door Sheets	617 x 608	J1-2
	1	Door Small (Middle) Sheet	617 x 226	J1-3
	1	Non-Door End Short Sheet	617 x 432	J1-10
	1	Roof Sheet Below Vent	617 x 980	J1-52
	4	Roof Sheets	617 x 756	J1-51
	1	Vent Sheet	605 x 545	J1-6
	1	Upper Triangular Sheet	617 x 448/15	J1-81
	1	Upper Triangular Sheet	617 x 448/15	J1-91
	1	Lower Triangular Sheet	617 x 440/20	J1-8
	1	Lower Triangular Sheet	617 x 440/20	J1-9
	2	H Profile Joiners	615	J2-1
	28	U Profile End Caps - Main Panels	615	J3-1
	1	U Profile End Cap - Vent	590	J3-3
	4	U Profile End Caps - Angle Cut	735	J3-4
	3	Polycarbonate Roof Bottom Clips	25	J4-1
	9	Polycarbonate Side Panel Clips Polycarbonate Door and	15	J4-2
	9	Brace Panel Clips	10	J4-3

Summer Garden Buildings does not guarantee that this is the most recent version of these instructions or that all data has been accurately reproduced. You are advised to refer to the instructions supplied with the product before assembly. If for any reason the instructions are not delivered with the product you are advised to obtain the most recent version before assembly. No guarantee is given regarding the accuracy of these instructions and no liability will be accepted for any errors or inaccuracies.

Section 1

Before you start:

- This task is accomplished more easily with two people.
- Gloves and goggles are recommended. No tools required.
- Identify all Polycarbonate panels and PVC end caps and joiners.
- Locate and identify the stainless steel clips.
- Locate spring glazing clips from the greenhouse pack.
- It is important to install the panels with the UV treated side facing outwards. This is covered with white polythene. Suggested installation procedure:
 - Remove the clear polythene protective cover from the 'inside' face of the panel just before installation but leave the white 'outside' covering in place.
 - Install the panel, peeling back sufficient of the white sheet to install the clips and end caps.
 - Do not remove the white covering until the panel is finally secured in place.

Note: The glazing bead should be added to the frame before assembly as indicated in the frame instructions.

Section 2

Glazing method: general.

- The stainless steel retaining clips are designed to hold the centre of the polycarbonate panels to the greenhouse frame: There are 3 designs, each for a specific part of the greenhouse. Where they are needed, add the correct clip to the centre of the polycarbonate panel ends, with the frame-fixing part of the clip on the inside.
- The 'U' profile end caps are added before glazing and fit *over* the stainless steel clips where they are used. The wide face of this profile should face outwards. **Fig A.**
- Have someone inside the greenhouse to help locate the stainless steel clips onto the greenhouse frame. This is best achieved by locating the bottom edge of the panel into the frame first and bending the panel as shown to locate the top edge. **Fig B.**
- The 'H' profile joiner strips (J2-1) join the polycarbonate panels at the greenhouse ends. **Fig C.**
- Once in place, secure with spring glazing clips (G4) as shown, evenly spaced. **Fig D.**

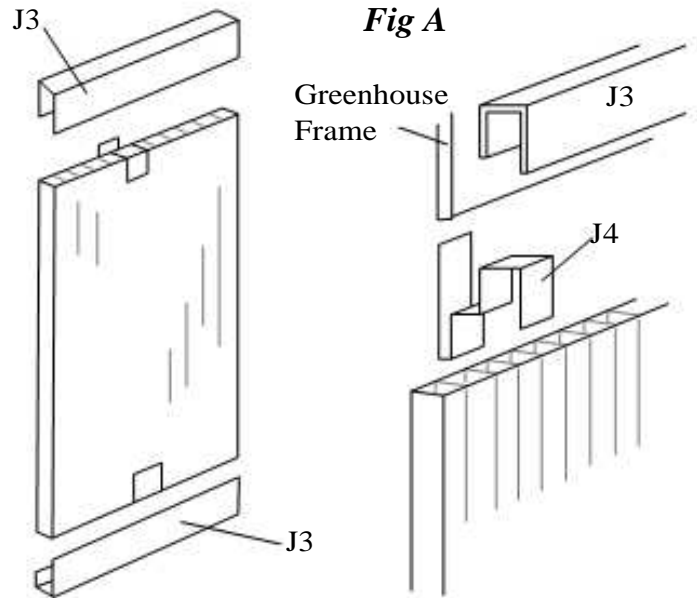


Fig B

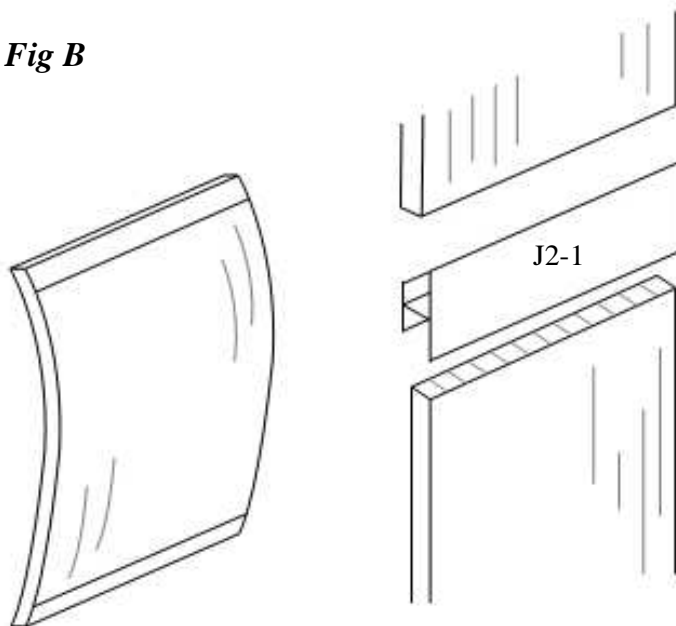
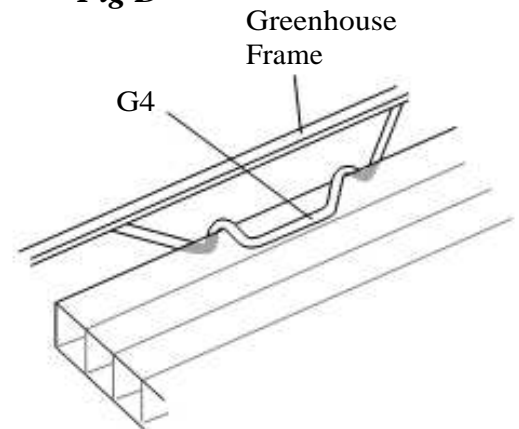


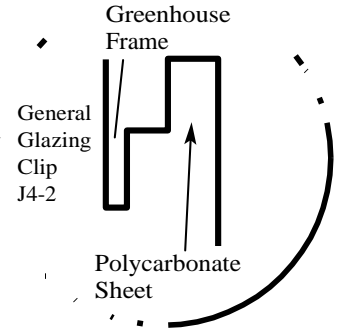
Fig D





Glazing: side panels (J1-1).

- On the panel top and bottom edges use stainless steel clips J4-2 and PVC profiles J3-1 and proceed as suggested in the general glazing instructions.
- Once in place, secure with 'W' glazing clips G4 as shown, four 'W' clips to each panel side.
- Repeat for the other side panels.

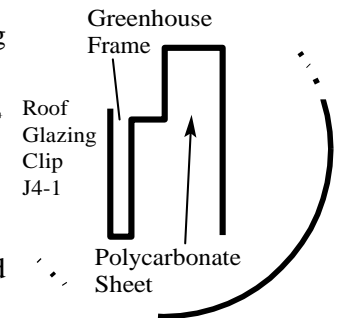


Glazing: lower panels on Greenhouse, back and front (J1-1):

- The bottom edge of these panels is treated in the same as the side panel using stainless steel clips J4-2 and PVC profiles J3-1. The top edges of these panels have no stainless steel glazing clips.
- The panels furthest from the wall use the 'H' PVC profile J2-1 on the top edges. The triangular panels of these sections then fit into the top of these 'H' profiles: see below.
- The top edge of the other large panel fits into the cross brace profile. D4.
- Add the upper panels as below before securing with 'W' clips. G4.

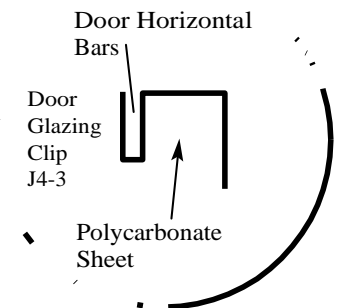
Glazing: upper panels on greenhouse back and front.

- Panel J1-10 has PVC profiles J3-1 on both top and bottom edges and stainless steel clip J4-3 on the bottom edge only.
- Lower triangular corner panels: J1-8 and J1-9 have PVC profile J3-4 on the top edge and fit into the 'H' profile on the bottom edge, as described above.
- The upper triangular panels: J1-81 and J1-91 have PVC profiles J3-4 on the top edge and J3-1 on the bottom edge, but no stainless steel clips.
- Once in place, secure panels with 'W' clips G4, three clips to each long edge and 2 to short edges.



Glazing: roof.

- The roof sections each hold two glazing panels. The upper panel top edges have no stainless steel clips or PVC profiles: they slide under the ridge flange.
- The bottom edges of the upper panels use stainless steel clips J4-3 and PVC profiles J3-1.
- The lower panel top edges slide under the bracing bar flange with PVC profiles J3-1 but no clips.
- The bottom edges of the lower panels use stainless steel clips J4-1 and PVC profiles J3-1.
- The panel below the vent is treated in the same way as the other roof lower panels.
- Once in place, secure with 'W' clips G4, three clips to each panel side.



Glazing: vent.

- This section is glazed prior to installation: see greenhouse erection instructions.
- PVC profile J3-3 can be added to the panel bottom edge by slackening the corner bolts.

Glazing: door.

- The top and bottom edges of all of the door panels have Stainless steel clip J4-3 and PVC profile J3-1
- Once in place, secure with 'W' clips G4, two per each large panel side and one on each small panel.

NOTE: in very exposed areas extra spring glazing clips are recommended: these can be purchased from most greenhouse retailers. In extreme conditions clear silicon mastic can be applied to the glazing bead during the glazing process.

